

# HS-217S-IN Outdoor- housing



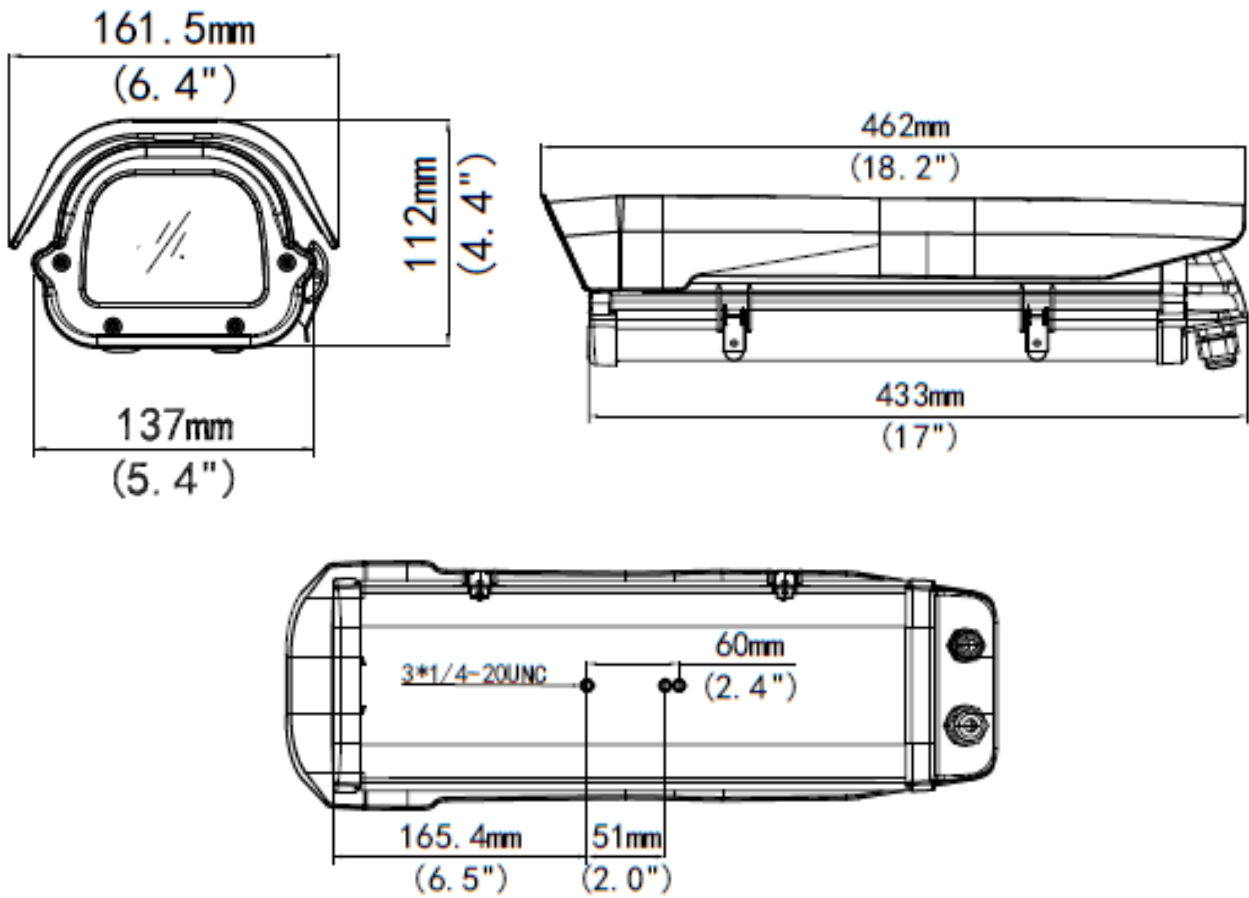
## Key Features

- Anti-corrosive and ultraviolet-proof material to enhance outdoor durability
- Combined with adjustable sun shade from direct solar radiation
- Build-in temperature controlling
- Easy and flexible installation with side open structure
- IP66-rated

## Specifications

Housing	HS-217S-IN
Application	Outdoor (including sun shade)
Ingress Protection	IP66
Operating Condition	≤-20°C(≤-4°F ) Humidity ≤ 90% RH(non-condensing)
Dimensions (L × W × H)	Outside: 462mm×161mm×112mm (17.04" x 6.3"x 4.4") Inside: 365×105×78.5mm (12.2"×4.2"×3.1")
Weight	1.42KG(3.13lb)
Material	Shell: aluminum alloy sun shade: plastic Front and rear lids: plastic

## Dimensions



## Accessories

Housing	Amount	Remarks
Pendant mount	1	17 "outdoor basic protection shield ,Sun shade, Heating,fan

Installation mode	Accessories	Description
Pendant mount	AE-TR-CM06	/
Wall mount	Indoor: AE-TR-WM06-A Outdoor: AE-TR-WM06-B	/
Rail mount	AE-TR-UV06-A +AE-TR-UP06	/
Standing pole mount	AE-TR-WM06-B +AE-TR-UP06	/
Pole mount	AE-TR-UV06-A	/

**Zhejiang Uniview Technologies Co.,Ltd.**

South Tower, Building 10, Wanlun Science Park, 88 Jiangling Road, Hangzhou, P.R.China 310051

Email: [overseasbusiness@uniview.com](mailto:overseasbusiness@uniview.com); [globalsupport@uniview.com](mailto:globalsupport@uniview.com)

<http://www.uniview.com>

©2015-2017 Zhejiang Uniview Technologies Co.,Ltd. All rights reserved.

\*Product specifications and availability are subject to change without notice.